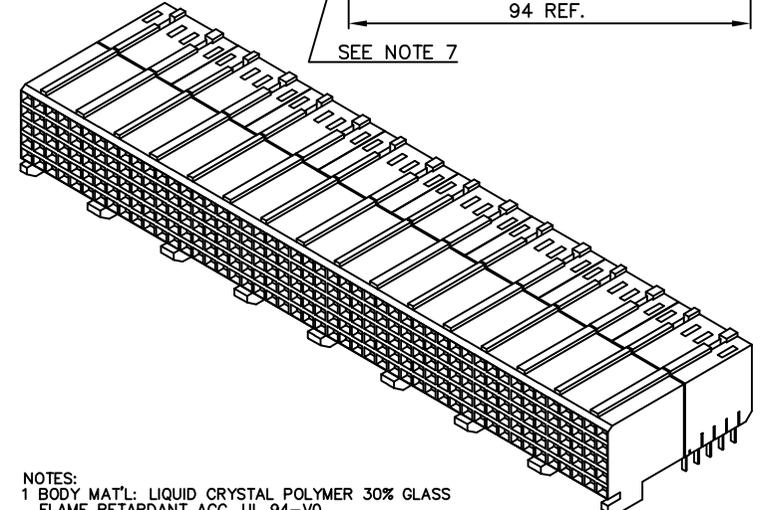
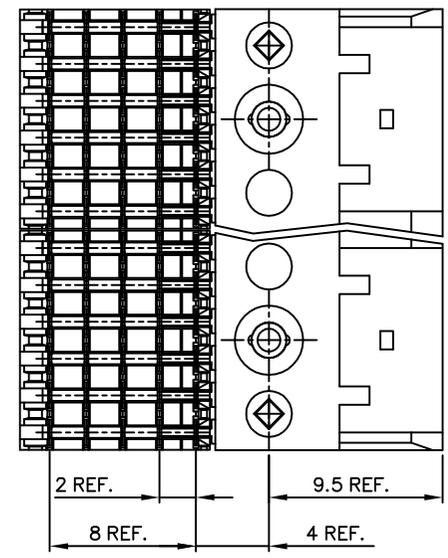
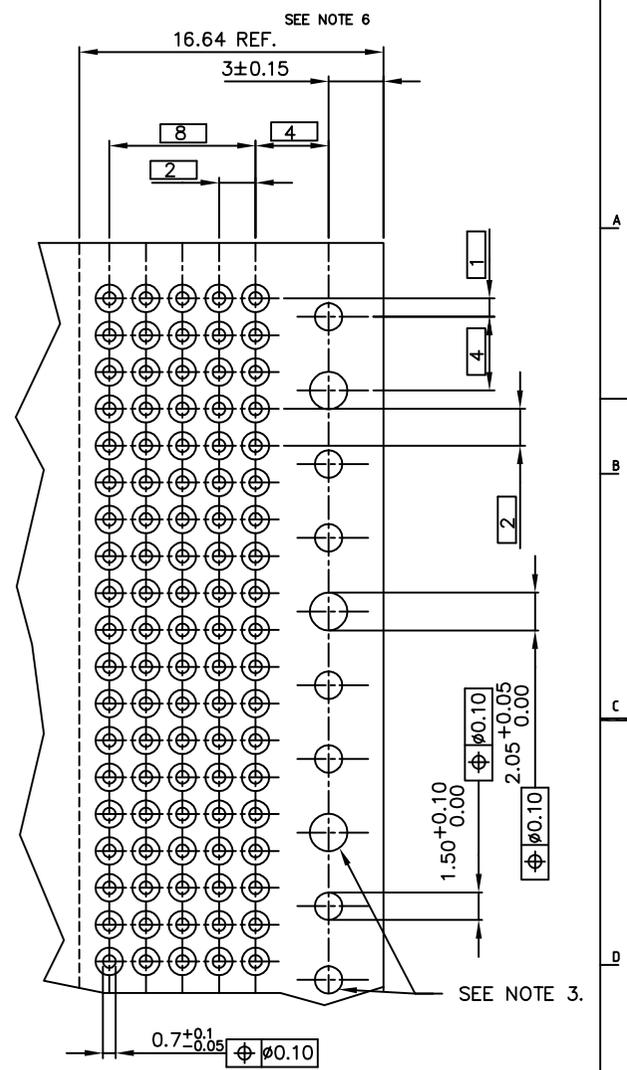
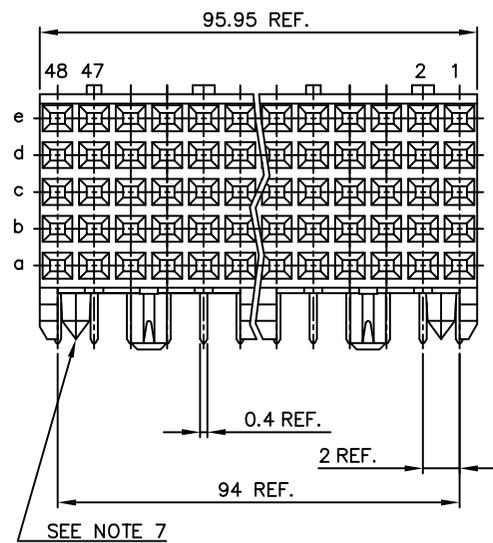
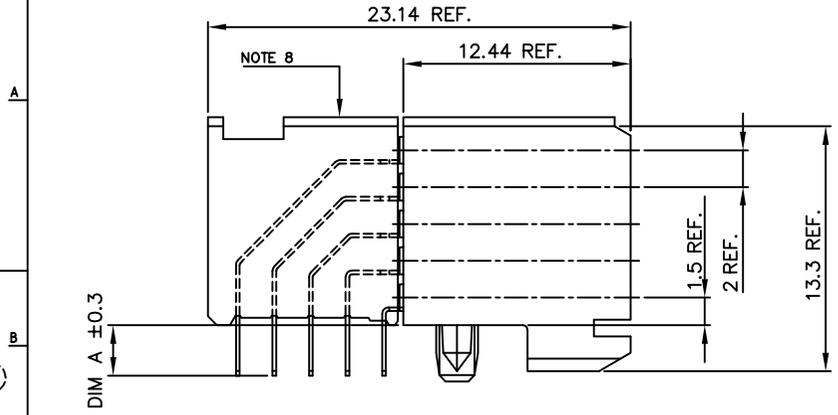


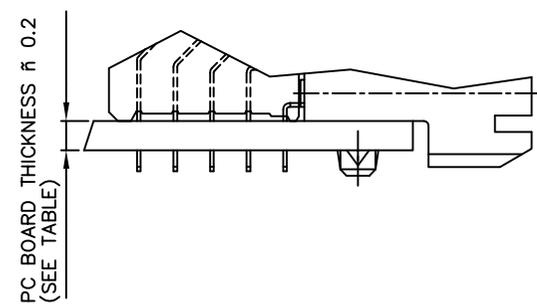
| PLATING CONTACT AREA: | |
|-----------------------|--------------------|
| DASH NR: | PERFORMANCE LEVEL: |
| -1YY/1YYLF | TELCORDIA CO |
| -2YY/2YYLF | CUSTOMER SPECIAL |
| -3YY/3YYLF | CUSTOMER SPECIAL |
| -9YY/9YYLF | TELCORDIA CO |

| PC BOARD VERSIONS | | |
|-------------------|---------------|-------|
| PRODUCT NR: | PCB THICKNESS | DIM A |
| 85866-X02 | 1.6 | 2.90 |
| 85866-X12 | 2.4 | 3.53 |
| 85866-X02LF | 1.6 | 2.90 |
| 85866-X12LF | 2.4 | 3.53 |



- NOTES:
- BODY MAT'L: LIQUID CRYSTAL POLYMER 30% GLASS
FLAME RETARDANT ACC. UL 94-V0
 - TERMINAL MATERIAL: PHOSPHOR BRONZE.
 - INDICATED HOLES ARE UNPLATED.
 - PLATING OF SOLDER TAILS 2-8 um SnPb 90-97 OR 2-8 um PURE Sn FOR LEAD FREE.
 - PRODUCT MARKING: PART NUMBER & BATCH ID.
 - SET BACK FOR TAIL BLOCK
 - DIAMOND LOCATION PEG ARE ONLY EXISTED ON THE BOTH SIDES OF PRODUCT.
 - TOP SURFACE OF PRESS BLOCK MAY EXTEND UP TO 0.4MM HIGHER THAN HOUSING. THIS MAY AFFECT THE TAIL LENGTH BEFORE APPLICATION TO A BOARD
 - THIS PRODUCT MEETS EUROPEAN UNION DIRECTIVES AND OTHER COUNTRY REGULATIONS AS DESCRIBED IN GS-22-008.
 - THE HOUSING WILL WITHSTAND EXPOSURE TO 260DEGREE PEAK TEMPERATURE FOR 10 SECONDS IN A WAVE SOLDER APPLICATION.

RECOMMENDED HOLE PATTERN, COMPONENT SIDE.



| mat'l. code | | tolerances unless otherwise specified | | CUSTOMER COPY | | FCI ELECTRONICS | |
|-------------|-----------|---------------------------------------|----------|---------------|--------------|--------------------------|------------------|
| SEE NOTES | | | | projection | | www.fciconnect.com | |
| ltr | ecr no | dr | date | linear | | title | |
| A | H40627 | RVI | 941005 | | | 5 ROW R.A. S.T.B. SIGNAL | |
| B | V91453 | DOB | 990902 | | | RECEPT. 96mm MOD. P.P. | |
| C | V00578 | LLA | 000316 | angles | | product family | METRAL (tm) code |
| D | V00850 | GNV | 000512 | dr | R. VISSCHERS | 941005 | size |
| E | D604-0109 | CLU | 041230 | engr | E. FEIJEN | 941005 | dwg no |
| F | D607-0169 | Cent | 05/15/07 | chr | E. FEIJEN | 941005 | scale |
| G | D608-0171 | TER | 8/26/08 | app | E. FEIJEN | 941005 | 5:1 |
| sheet | revision | G | | A2 | | 85866 | 213 |
| index | sheet | 1 | | | | | 1 of 1 |